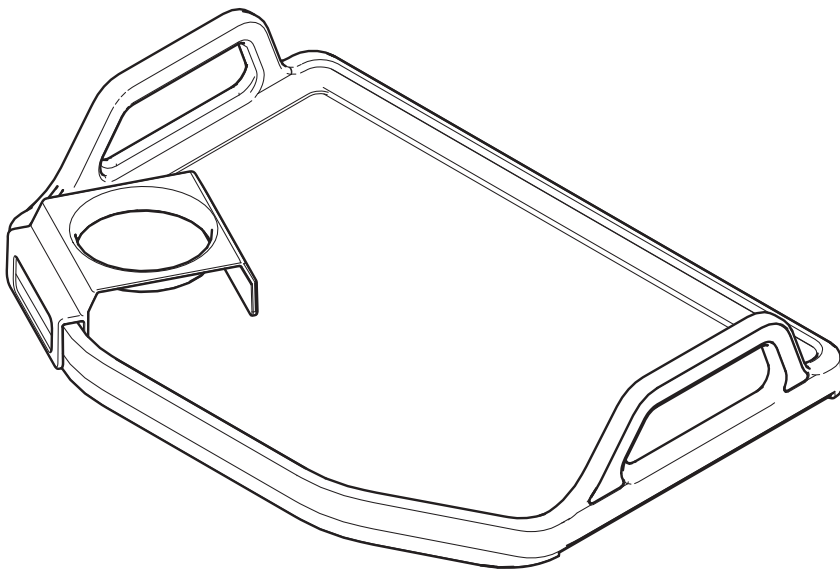


ASSEMBLY INSTRUCTION

# Tray with cup holder



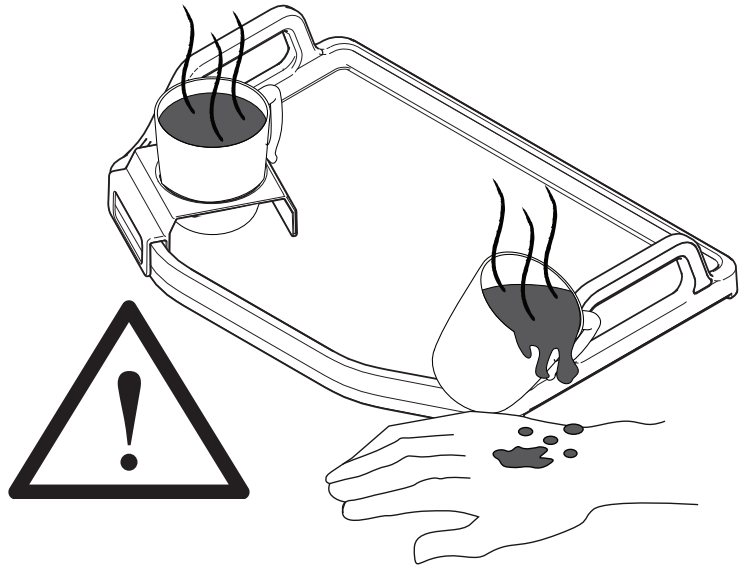
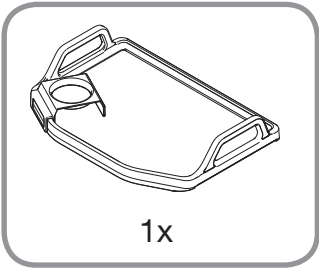
**Description**

Tray, Gemino all models

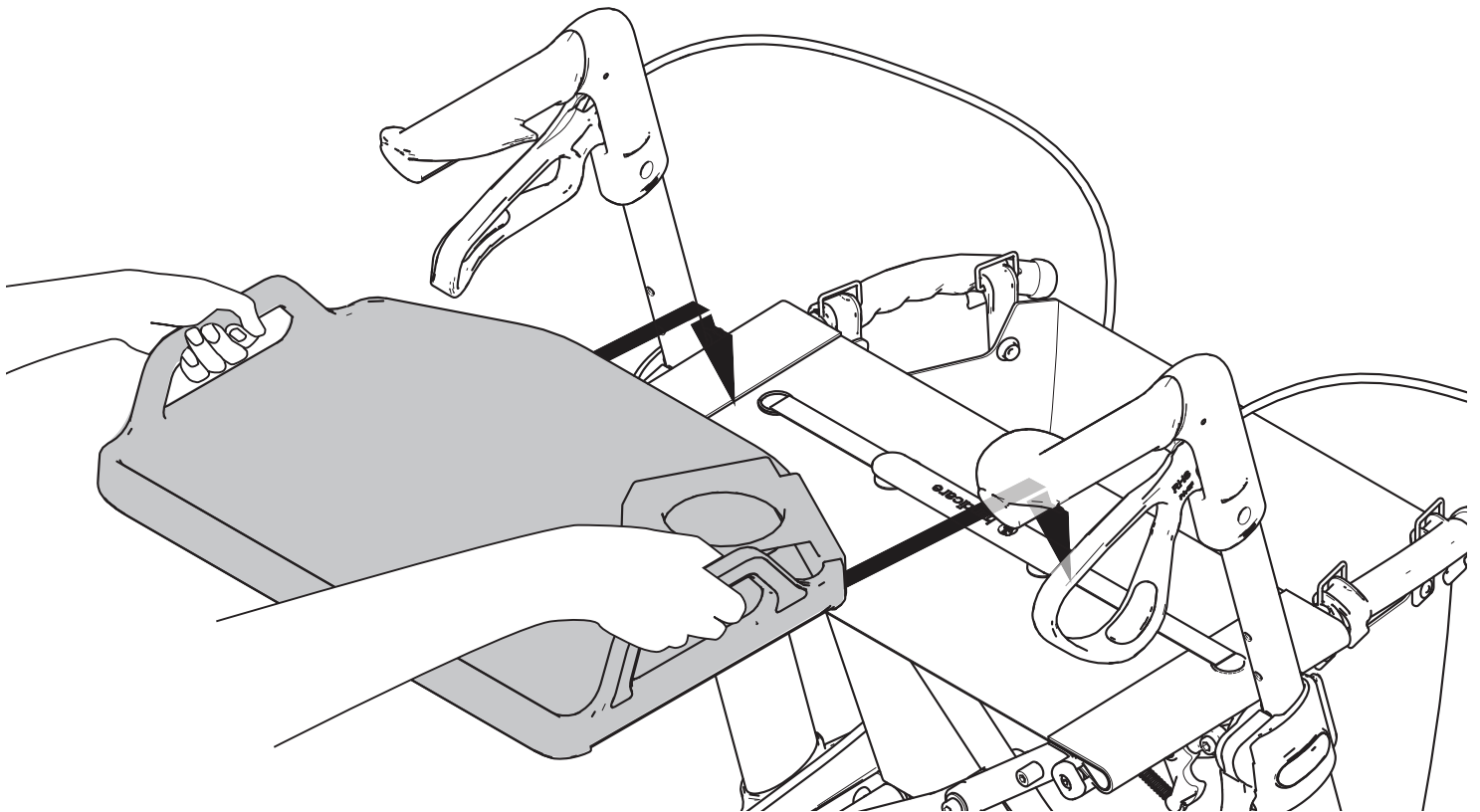
**Article number**

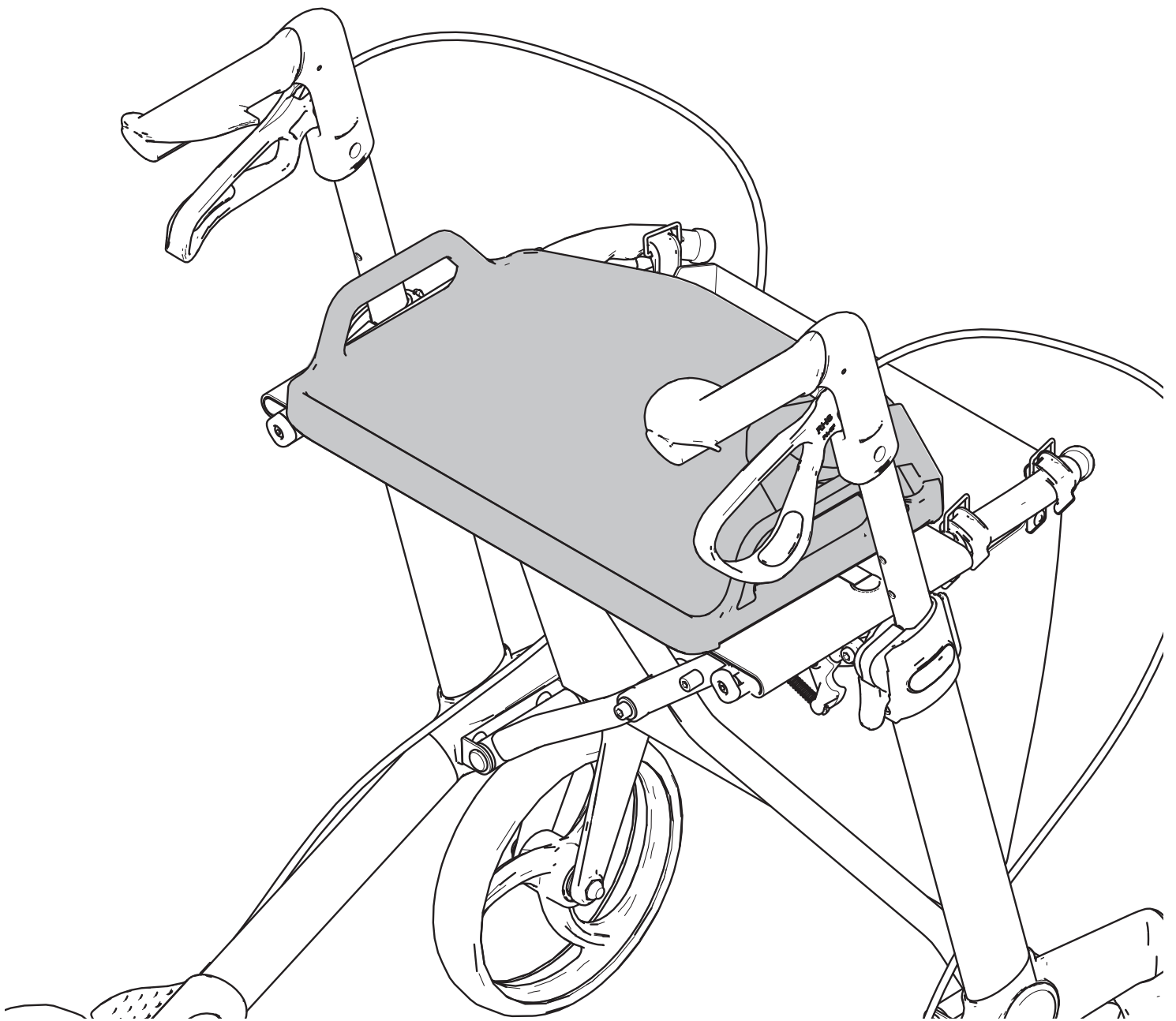
7109140

# GEMINO

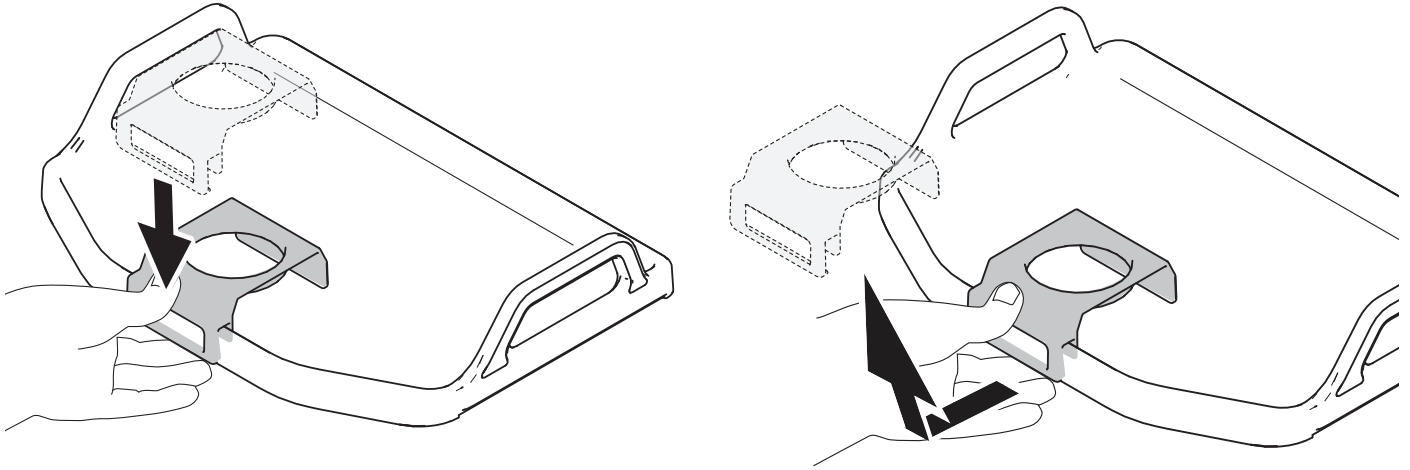


1

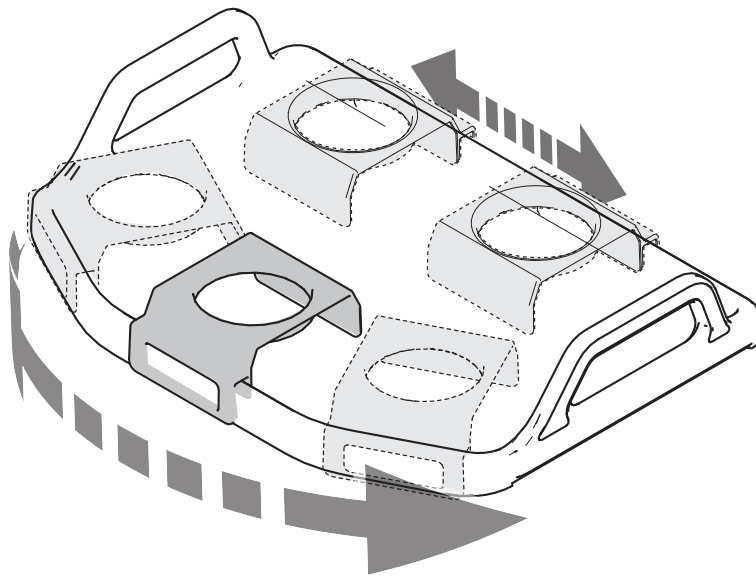




2



3



Sunrise Medical HCM B.V.  
Vossenbeemd 104  
5705 CL Helmond  
The Netherlands

T: +31 (0)492 593 888  
customerservice@sunrisemedical.nl  
www.SunriseMedical.eu